

Model No. FDS040-12M10



40W

Temperature Coefficients

Nominal Operating Cell Temperature	NOCT	°C	45 +/-2
Voltage Temperature Coefficient (Voc)	α	%/°C	-0.32
Current Temperature Coefficient (Isc)	β	%/°C	0.055
Power Temperature Coefficient (Pmpp)	γ	%/°C	-0.39

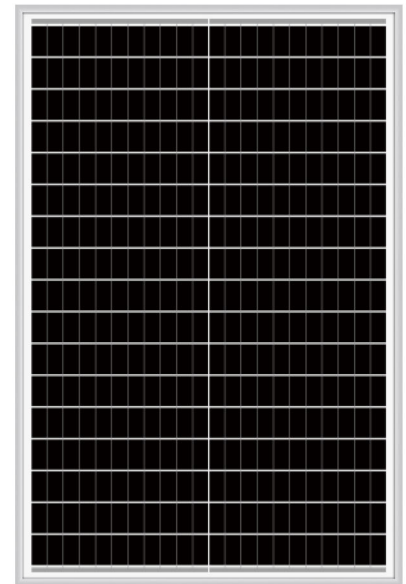
Mechanical Data

Solar Cell	Monocrystalline, 182*31mm
Arrangement	34Cells (2*17)
Front Glass	3.2mm Tempered
Frame	Anodized Aluminium
Max. Static Snow Load, Front	5400Pa
Max. Static Wind Load, Back	2400Pa
Junction Box	IP65
Cables & Connectors	As Per Requirement

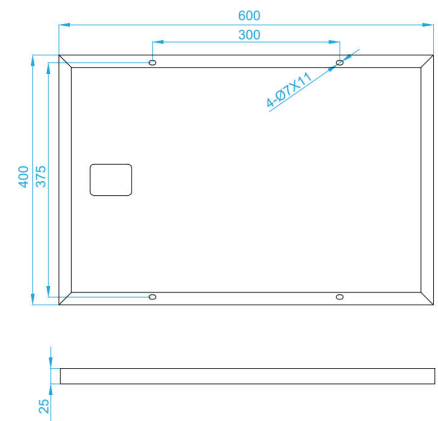
Electrical Data

STC: Irradiance 1000 W/m²(module temperature 25°C AM1.5)

Module Type		FDS040-12M10	
Nominal Peak Power	Pmax	Wp	40
Minimum Power Tolerance	ΔP_{max}	%	-/+3
Max. Power Voltage	Vmp	V	18.7
Max. Power Current	Imp	A	2.14
Open-circuit Voltage	Voc	V	22.2
Short-circuit Current	Isc	A	2.32
Module Efficiency	η_m	%	16.7
Operating Temperature		°C	-40 to +85
Max Series Fuse Rating		A	3
Max. System voltage	DC	V	1,500
Weight		KGS	2.5
Dimension		MM	600*400*25



Dimensions unit : mm



Scherer Solarstrom GmbH, Gottlieb-Daimler-Str. 26, 76703 Kraichtal

Telefon: 07250-929110

E-Mail: info@scherer-solarstrom.de

Web: scherer-solarstrom.de